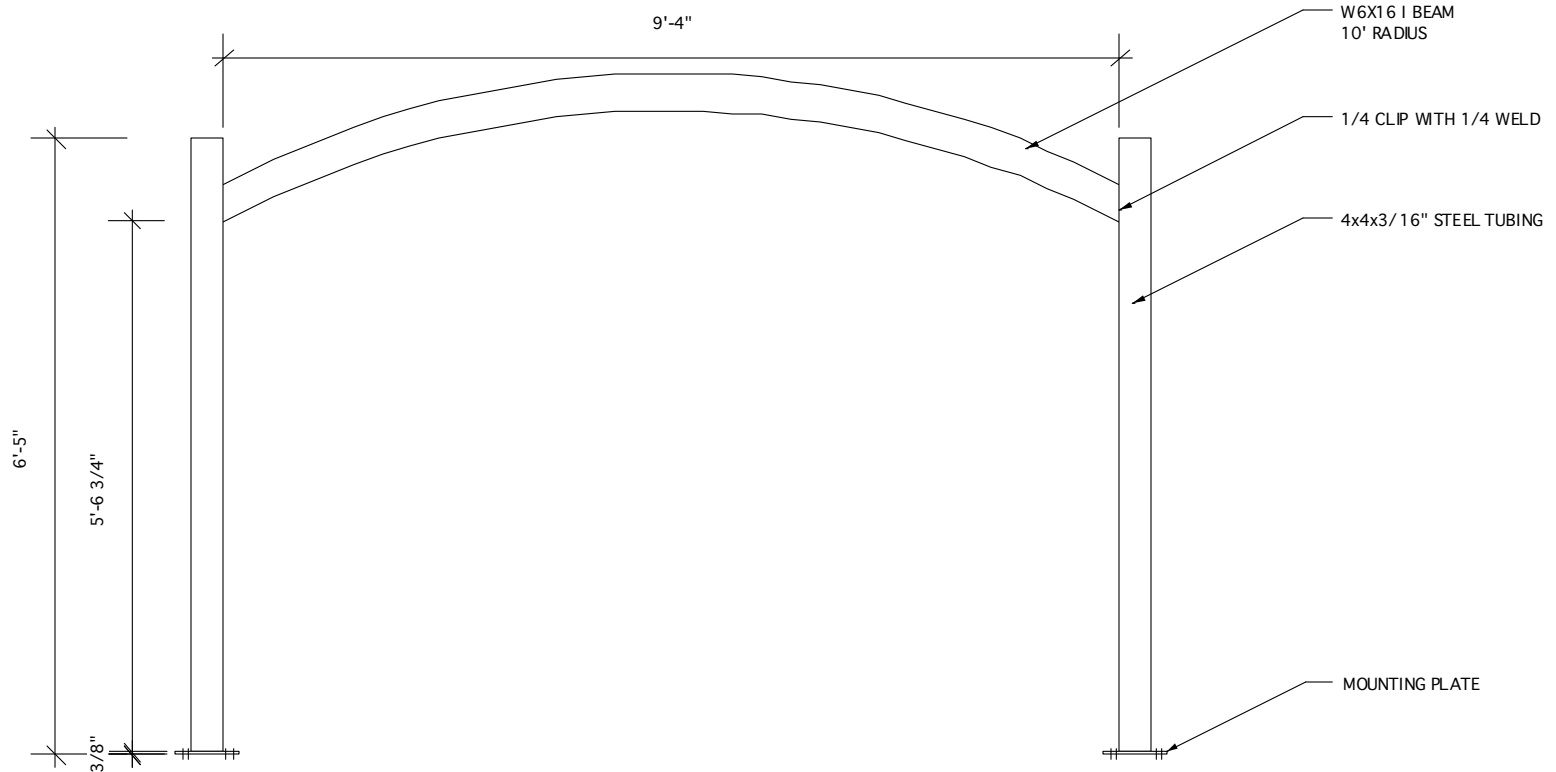
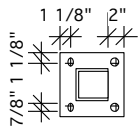


STEEL DETAIL

FRONT VIEW



MOUNTING PLATE
TOP VIEW



- NOTES:
- MOUNTING PLATE: 8X8X3/8"
 - HOLE DIAMETER ON MOUNTING PLATE: 7/8"
 - STEEL TUBING: 4X4X3/16"
 - I BEAM: W6X16
 - CLIPS: 1/4" CLIP W/ 1/4" WELDS

TUBING WILL BE CAPPED ON TOP

4

HAWORTH FIRE DEPARTMENT MONUMENT

Scale: 1/2" = 1'-0"

