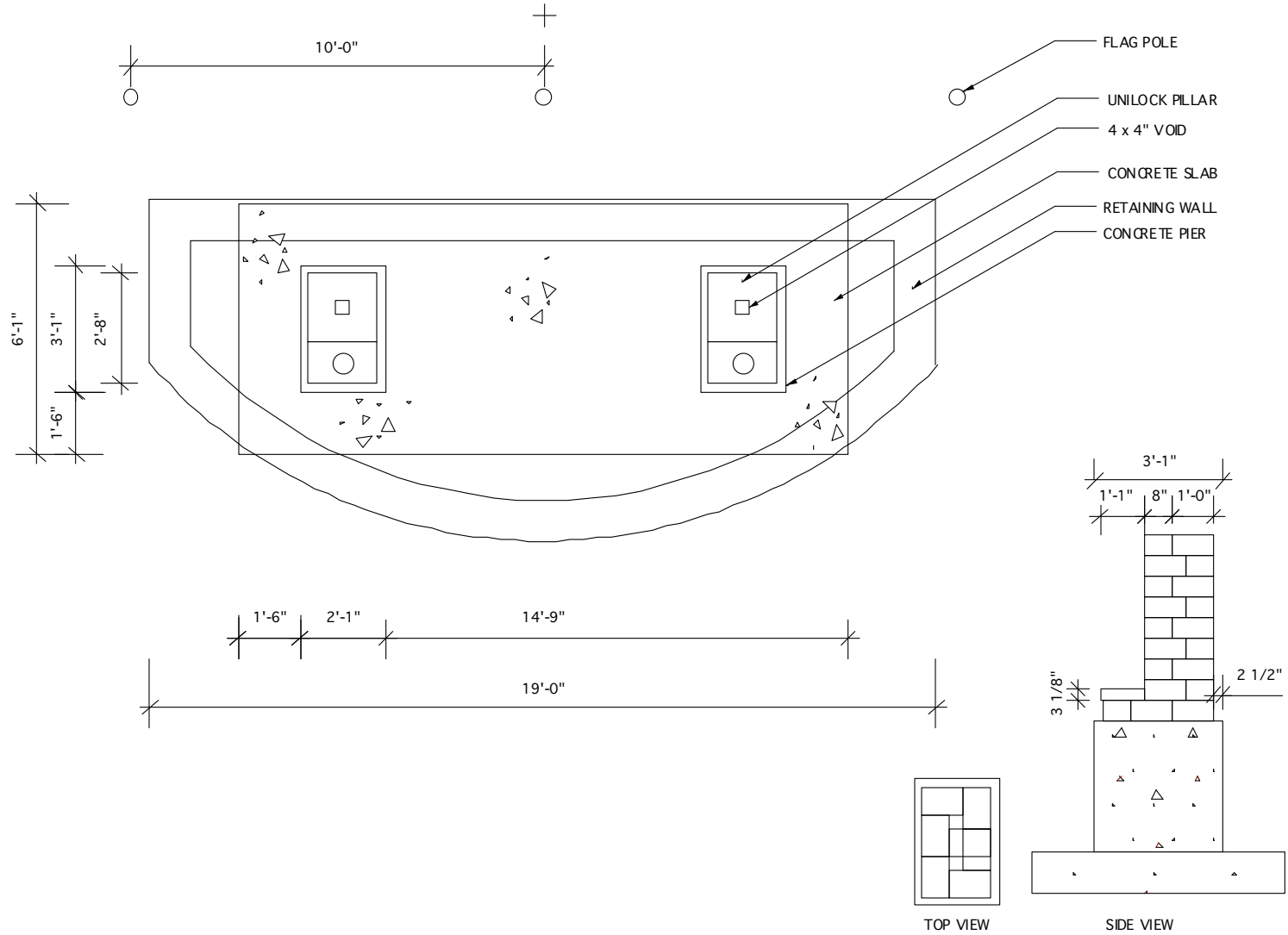


1

HAWORTH FIRE DEPARTMENT MONUMENT

Scale: 1/4" = 1'-0"

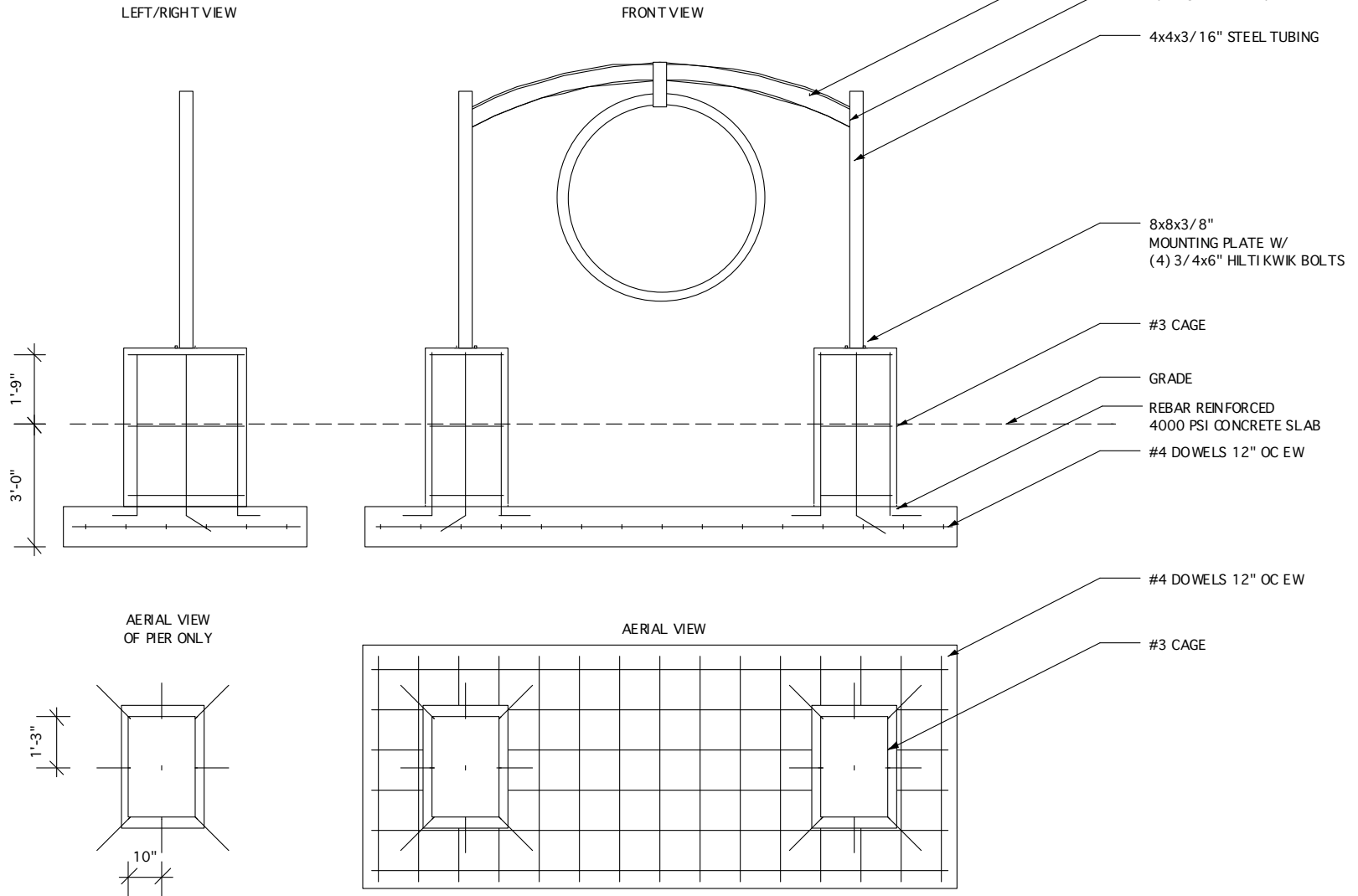




2 HAWORTH FIRE DEPARTMENT MONUMENT  
 Scale: 1/4" = 1'-0"



# REBAR/STEEL DETAIL



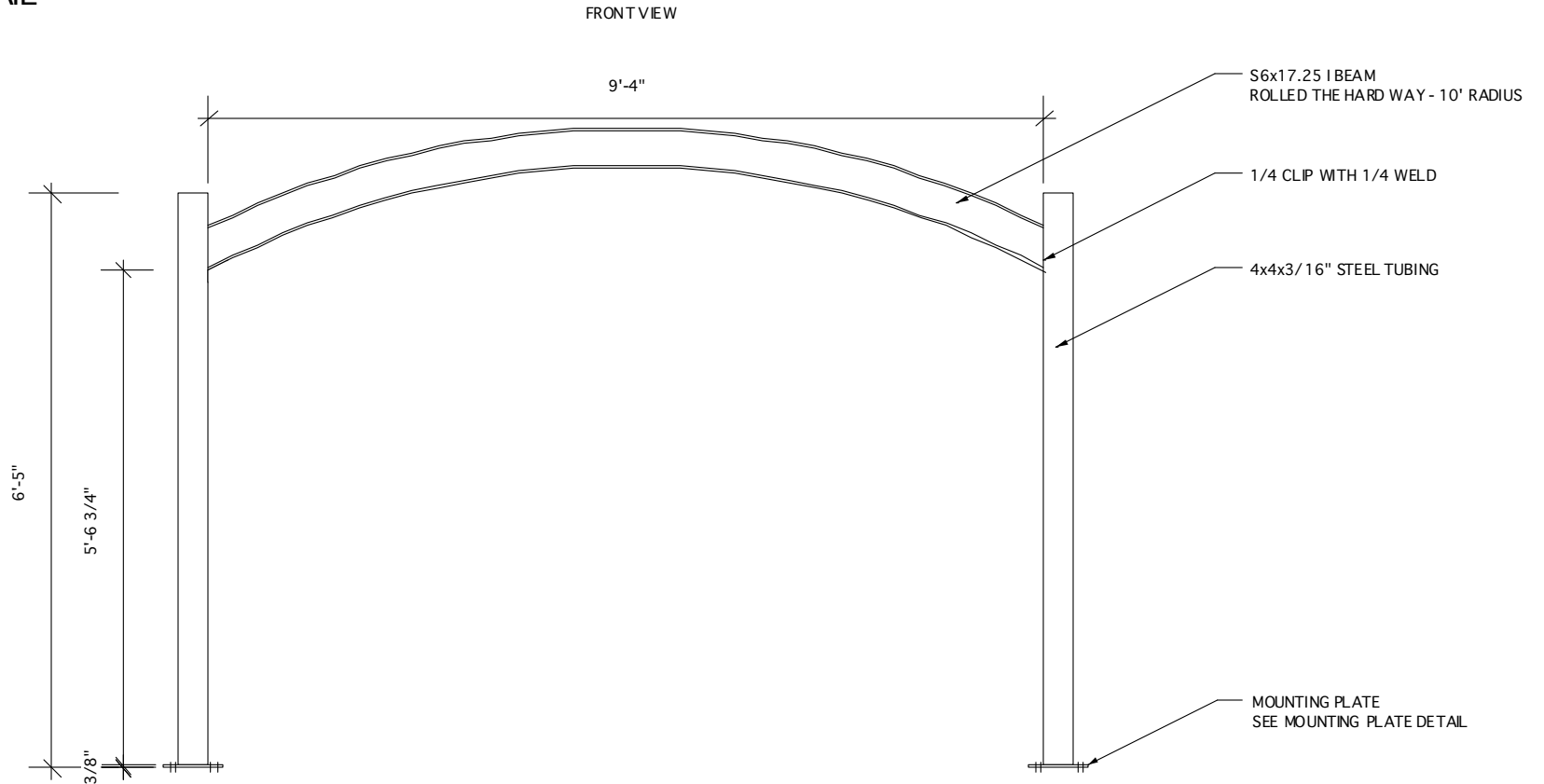
3

HAWORTH FIRE DEPARTMENT MONUMENT

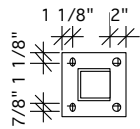
Scale: 1/4" = 1'-0"



# STEEL DETAIL



MOUNTING PLATE DETAIL  
TOP VIEW



NOTES:

MOUNTING PLATE: 8x8x3/8"

HOLE DIAMETER ON MOUNTING PLATE: 7/8"

STEEL TUBING: 4x4x3/16"

I BEAM: S6x17.25

CLIPS: 1/4" CLIP W/ 1/4" WELDS

TUBING WILL BE CAPPED ON TOP

4

HAWORTH FIRE DEPARTMENT MONUMENT

Scale: 1/2" = 1'-0"

